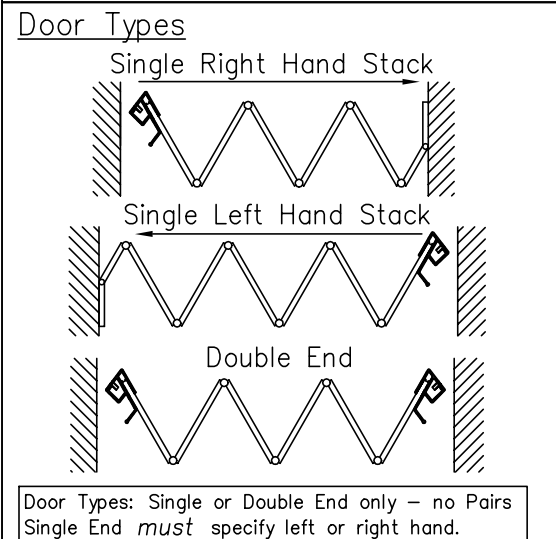
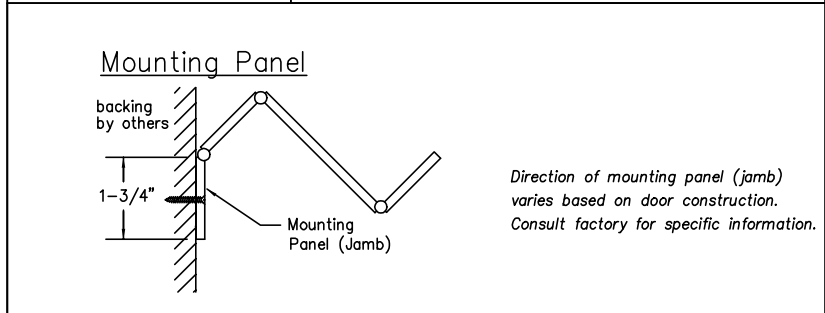
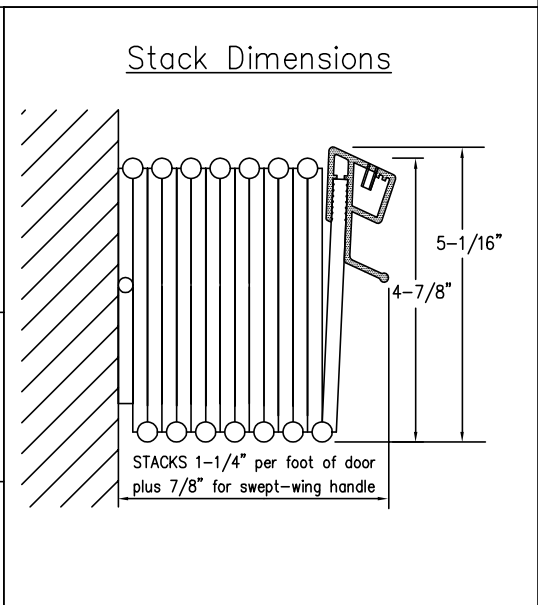
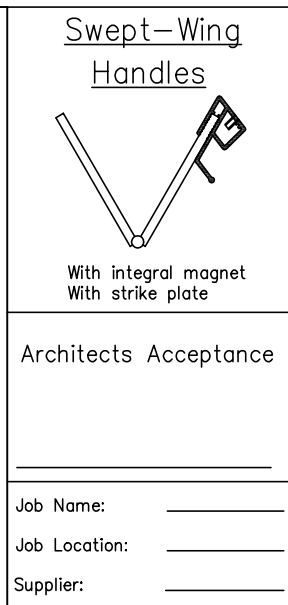
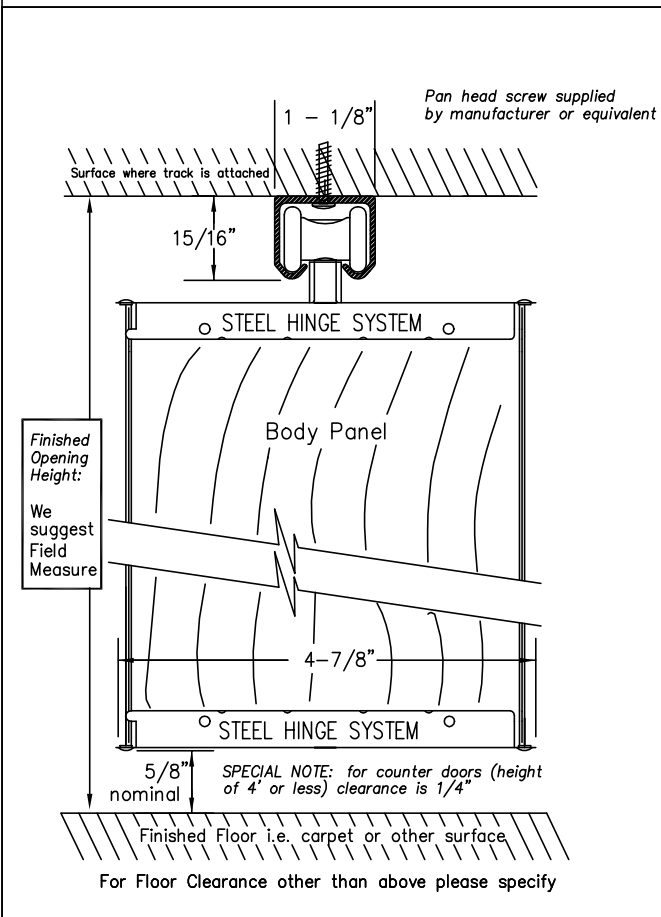


Series 140

SHOP DRAWINGS



INFORMATION

Width	Custom made to 8' - 0"
Height	Custom made to 8' - 1"
Panels	Natural hardwood or vinyl-lam on MDF core (features closet utility back)
Panel Connector	Extruded Vinyl: White, Brown or Sand
Hinge System	Steel: Dark Bronze or Clear Finish
Wheels	Nylon wheels on lexan axes
Track	Aluminum (straight only): Dark bronze or Clear
Swept Wing Handle	Rigid Vinyl: White, Brown or Sand Coordinated with panel connector
Catch	Magnet with strike plate
Header	Construction detail by others
Door Weight	Height Average Weight
	6'-8" 10lbs. Per lineal foot
	8'-1" 12lbs. Per lineal foot

See Woodfold Accordion Door brochure for details

Qty.	Single End/Double End	Left or Right Stack	Width X Height	Finish/Color	Comments

Woodfold-Marco Mfg. Inc. P.O. Box 346 Forest Grove, OR. 97116 <http://www.woodfold.com>

THESE SPECIFICATIONS ARE SUBJECT TO CHANGE WITHOUT NOTICE

Phone: 503-357-7181
Fax: 503-357-7185
140 SD 3/00