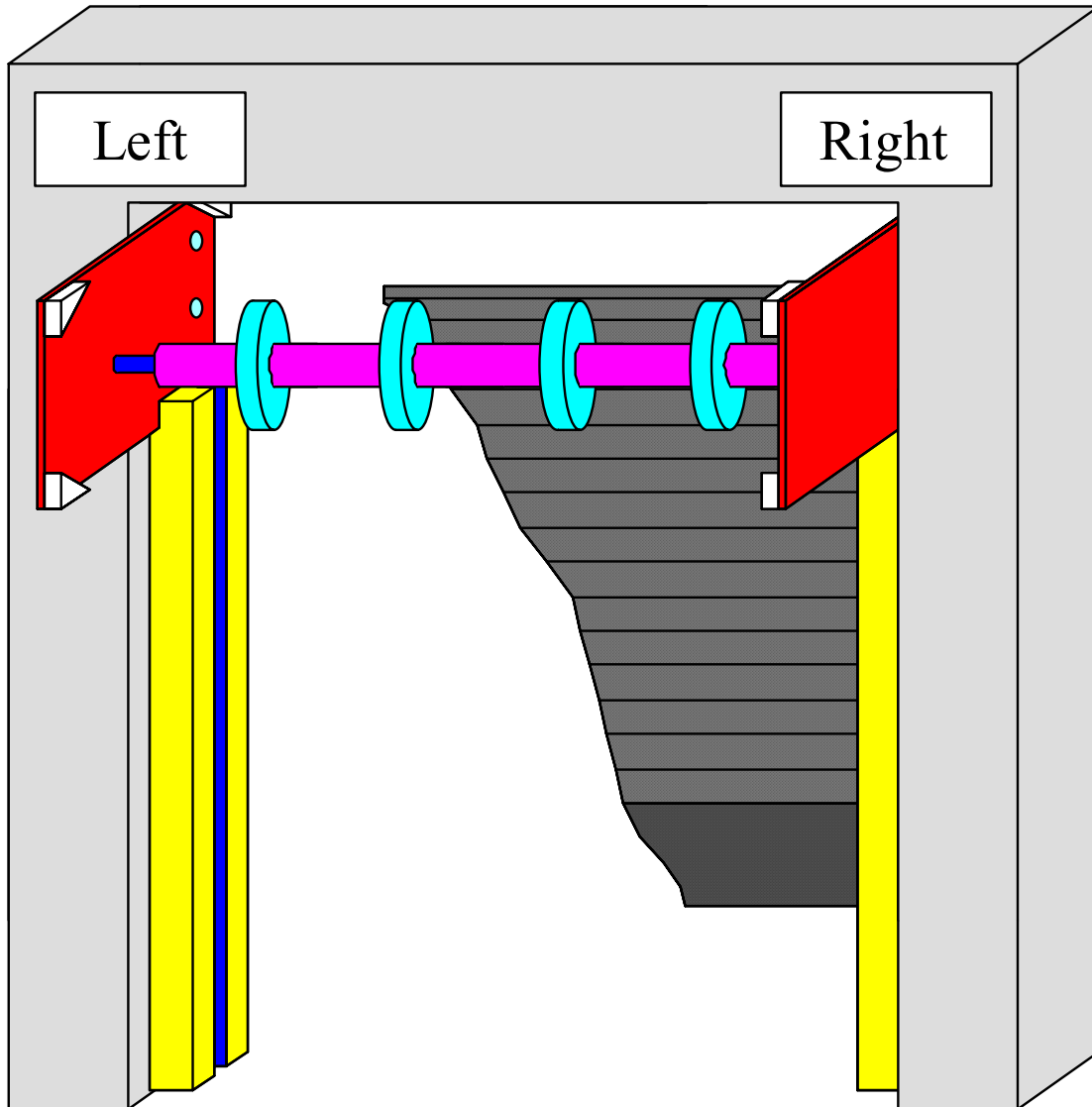
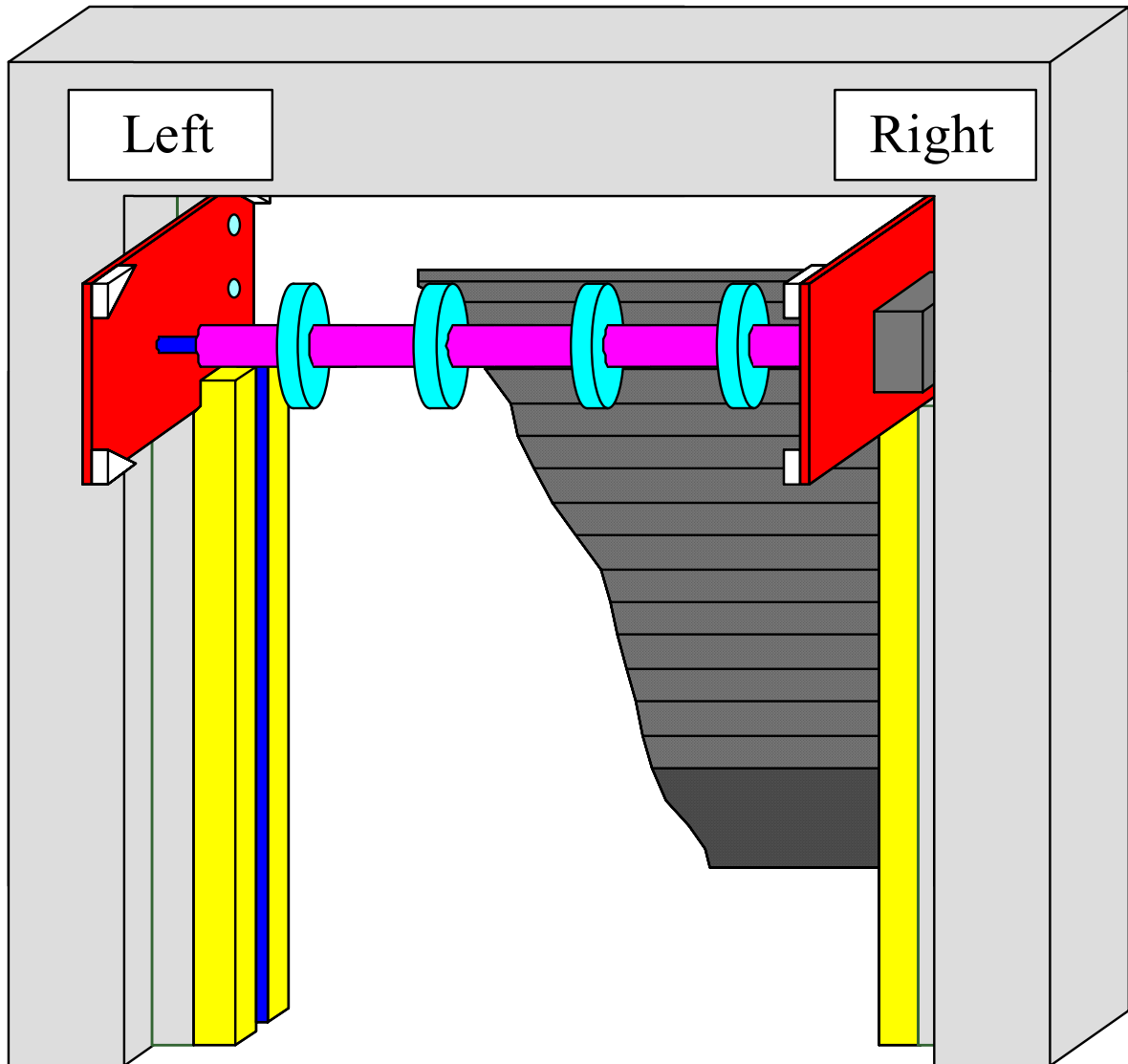


View From Coil Side Manual Operation



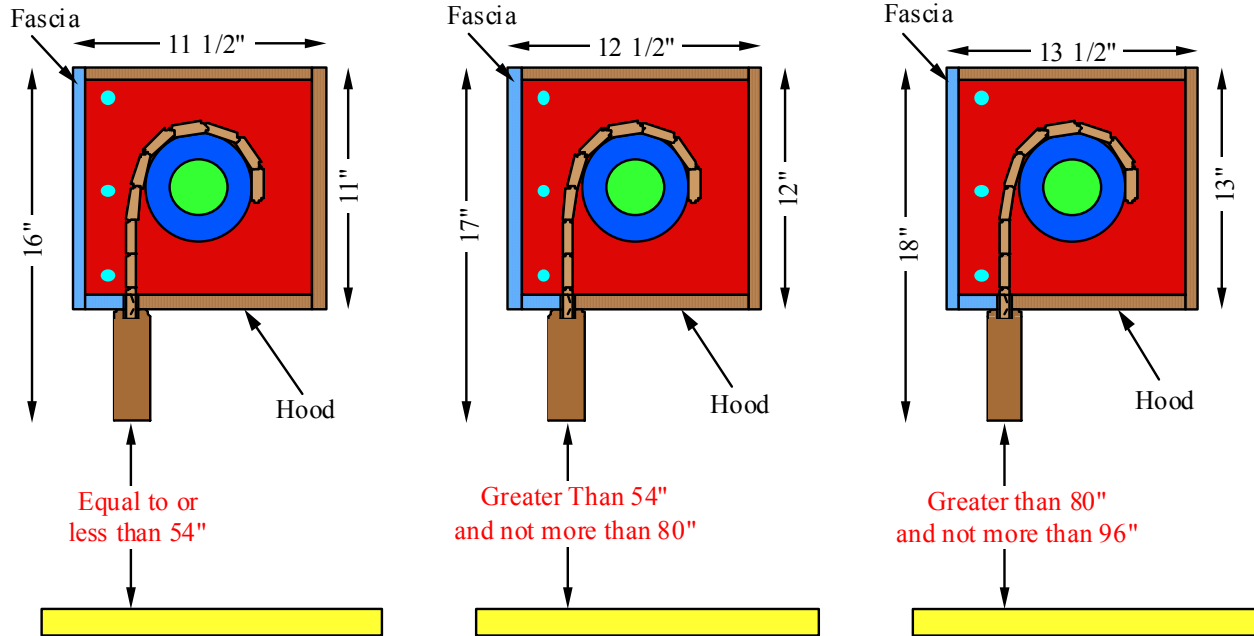
Inside Mount
Under Lintel
(Shown Without Hood or Fascia)

View From Coil Side Motor or Crank Operation

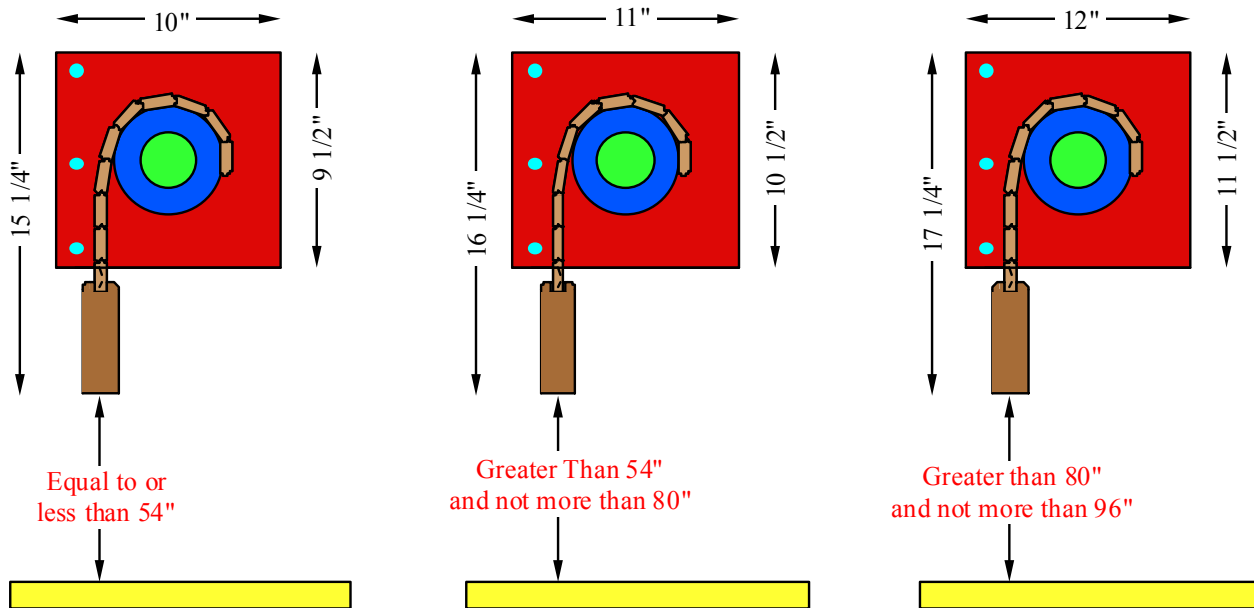


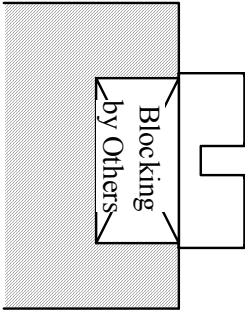
Inside Mount Under Lintel With Pack Outs (Shown Without Hood or Fascia)

End Plate Detail With Fascia & Hood

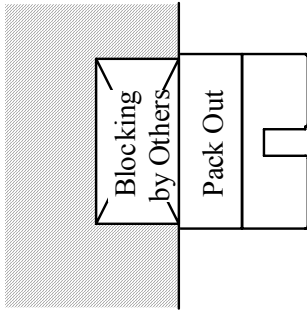
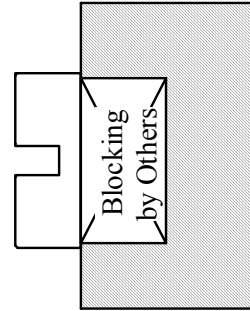


End Plate Detail Without Fascia & Hood

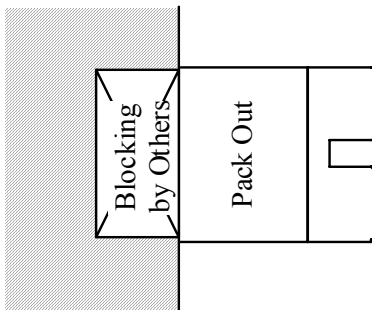
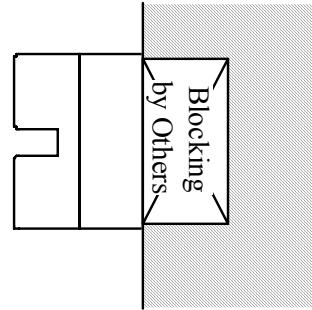




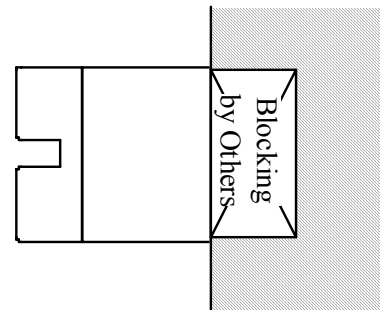
Manual Operation



Motor Operation



Crank Operation



Left

Coil Side

Right

