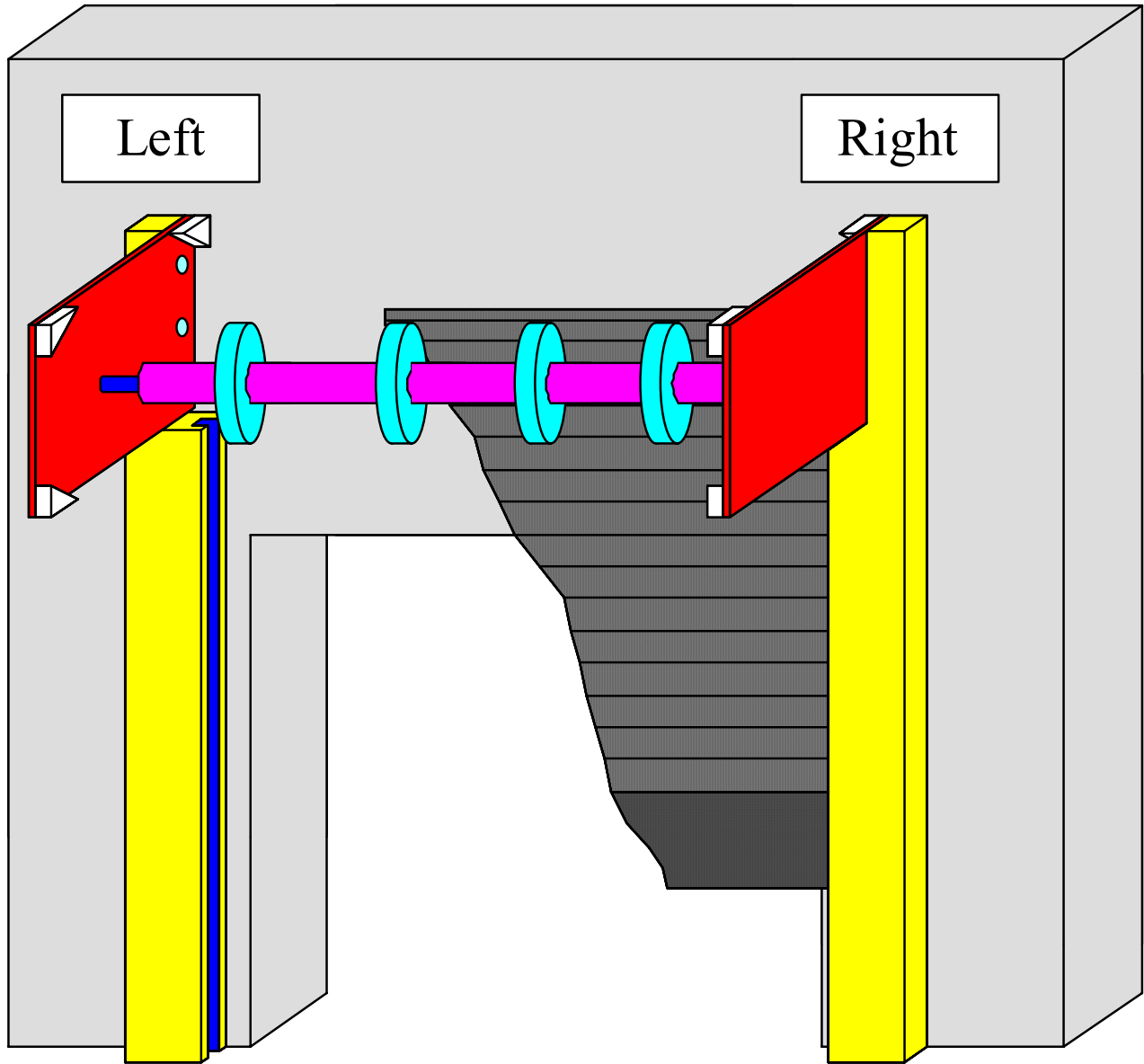
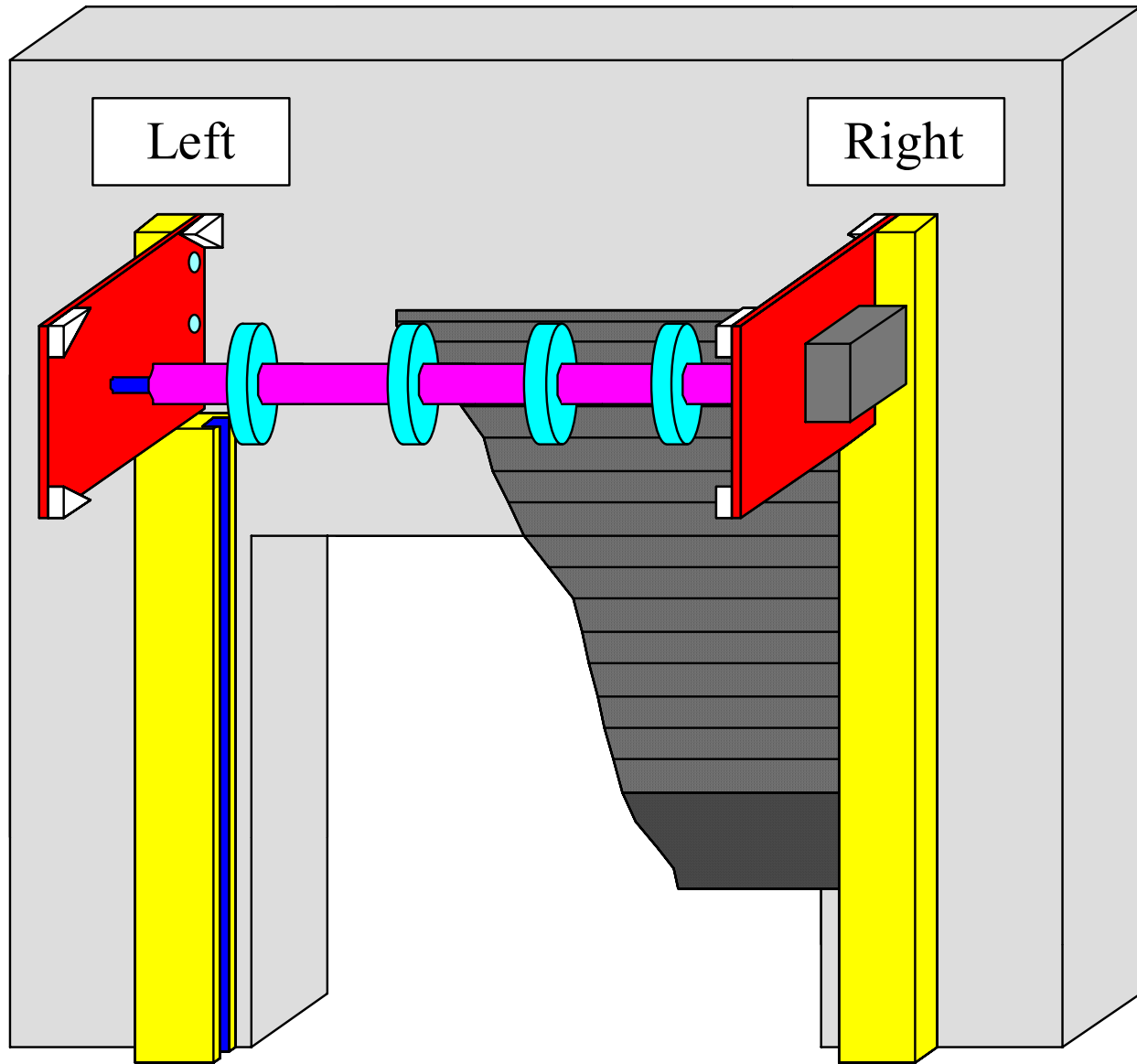


View From Coil Side Manual Operation



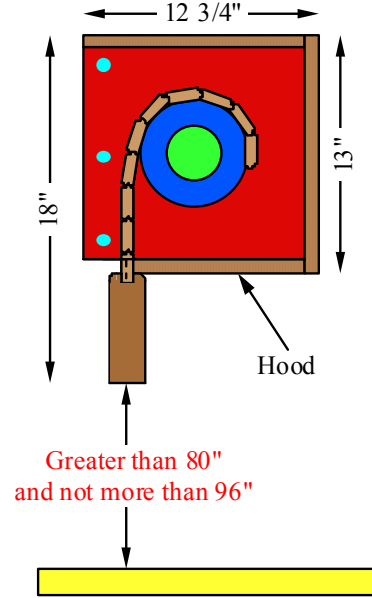
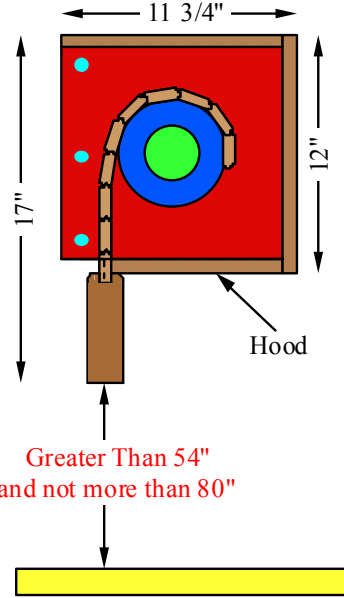
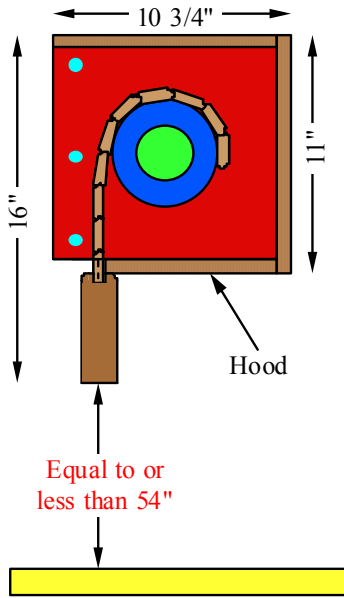
Outside Mount (Shown Without Hood)

View From Coil Side Motor or Crank Operation

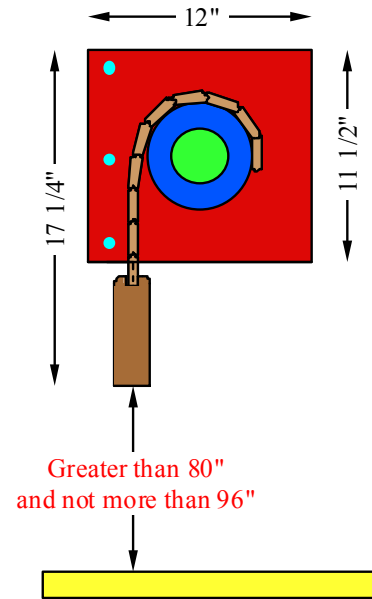
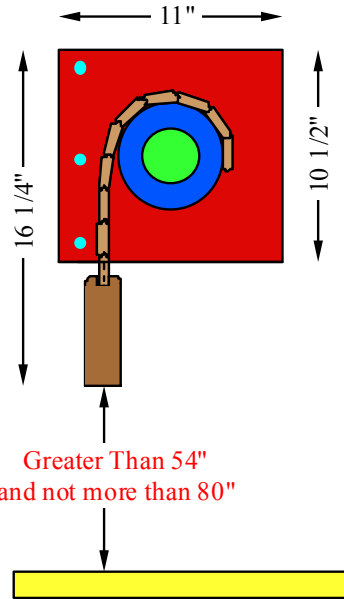
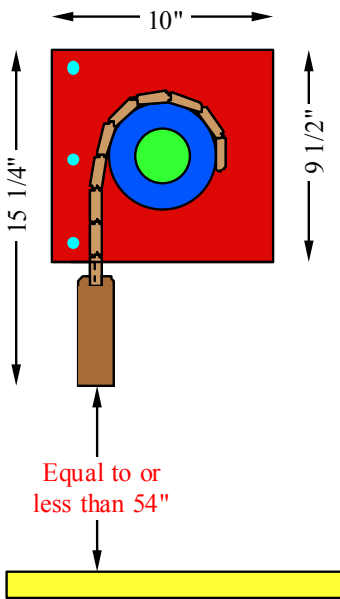


Outside Mount With Gear Box (Shown Without Hood)

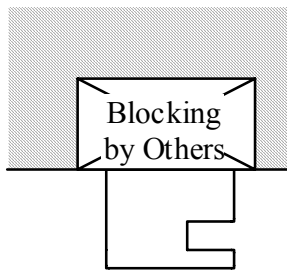
End Plate Detail With Hood



End Plate Detail Without Hood



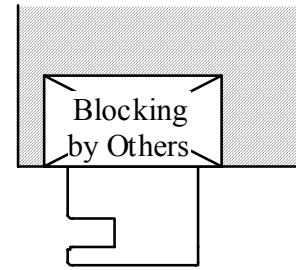
Outside Mount



Left

Manual, Motor or Crank Operation

Coil Side



Right

